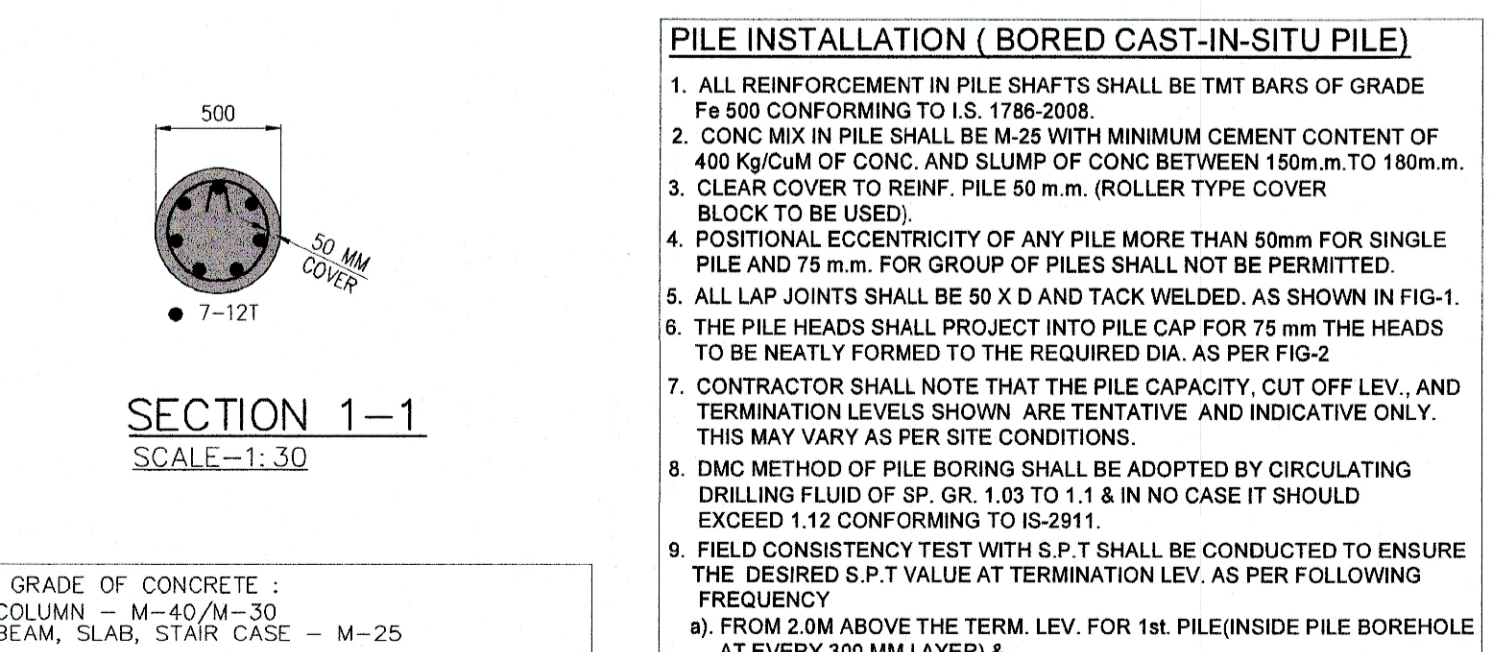
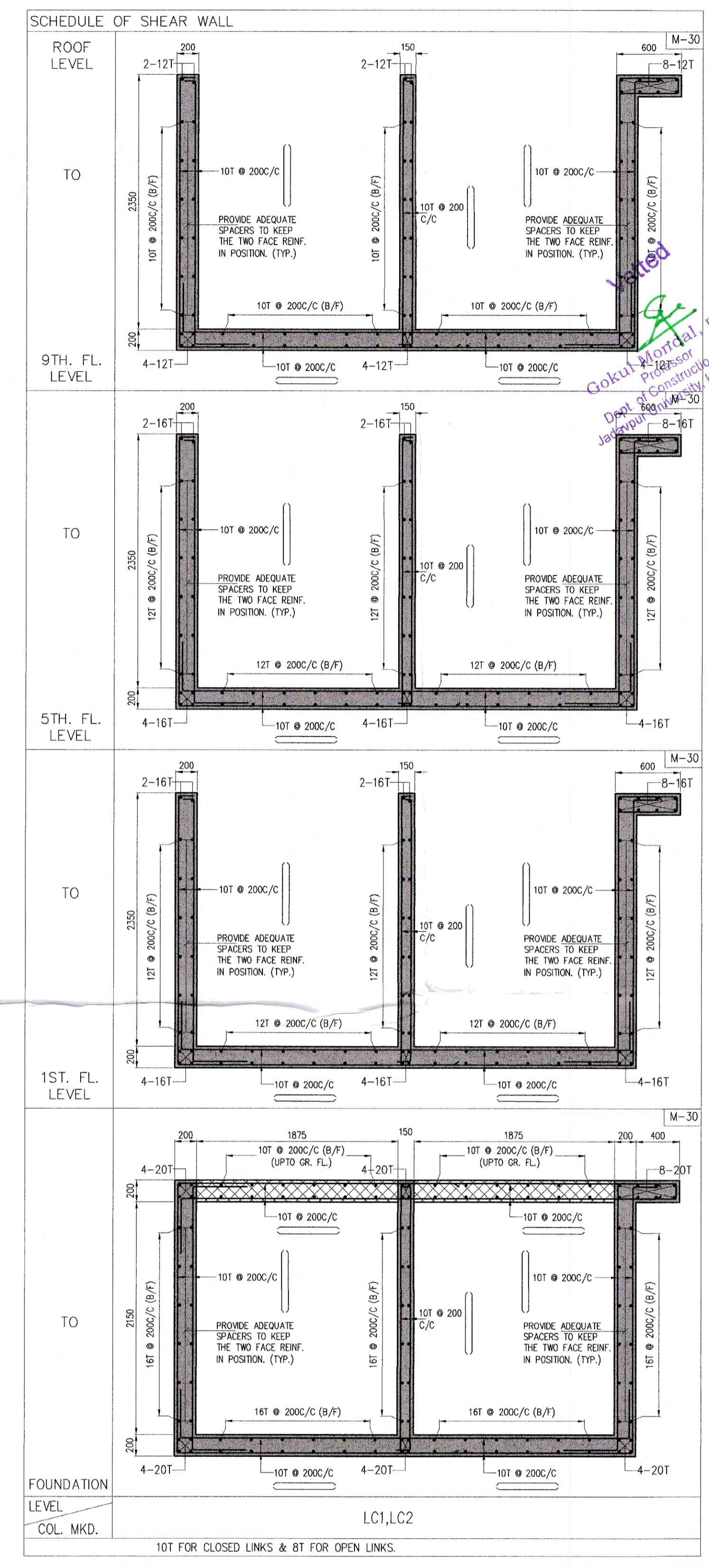
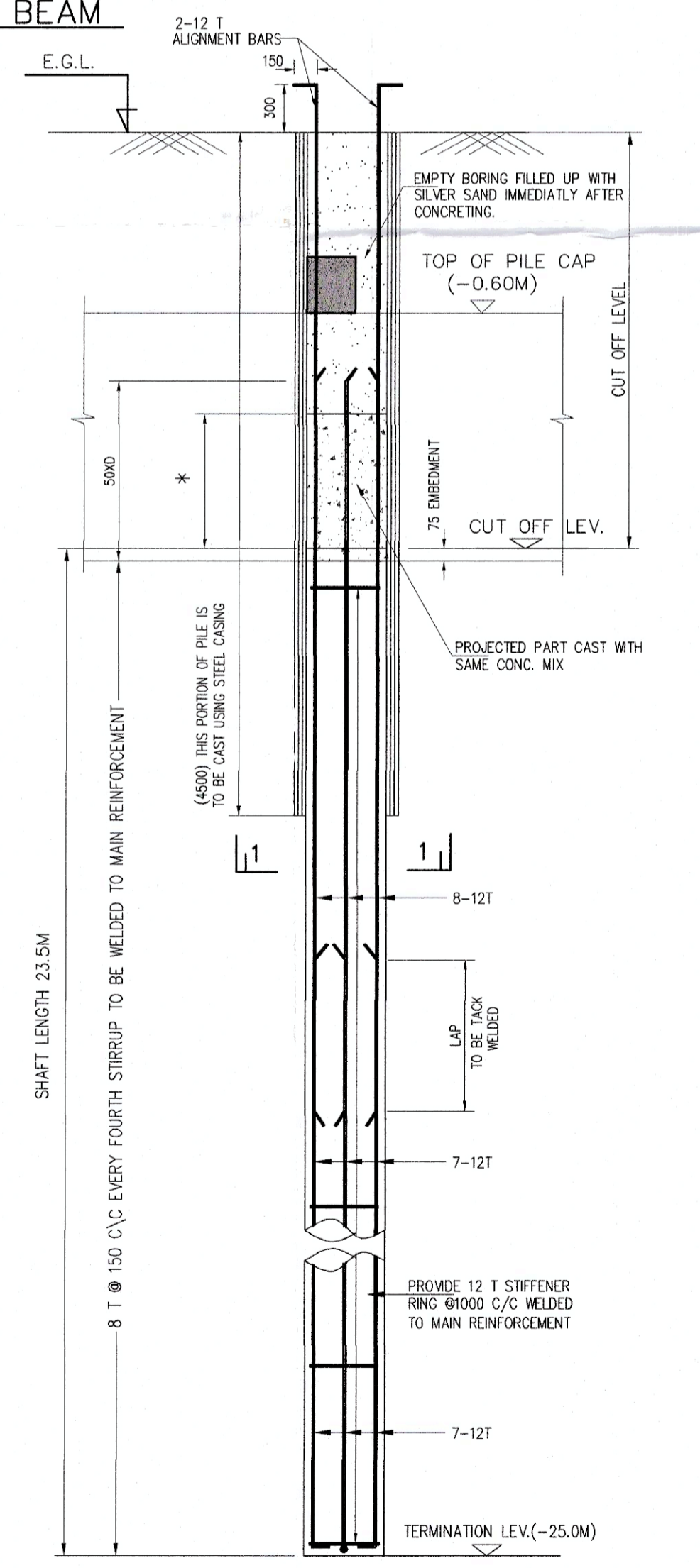
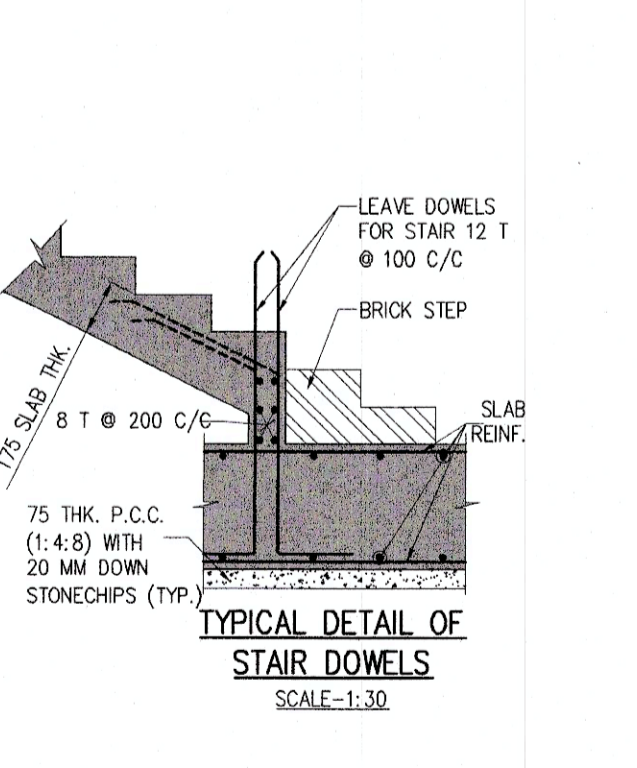
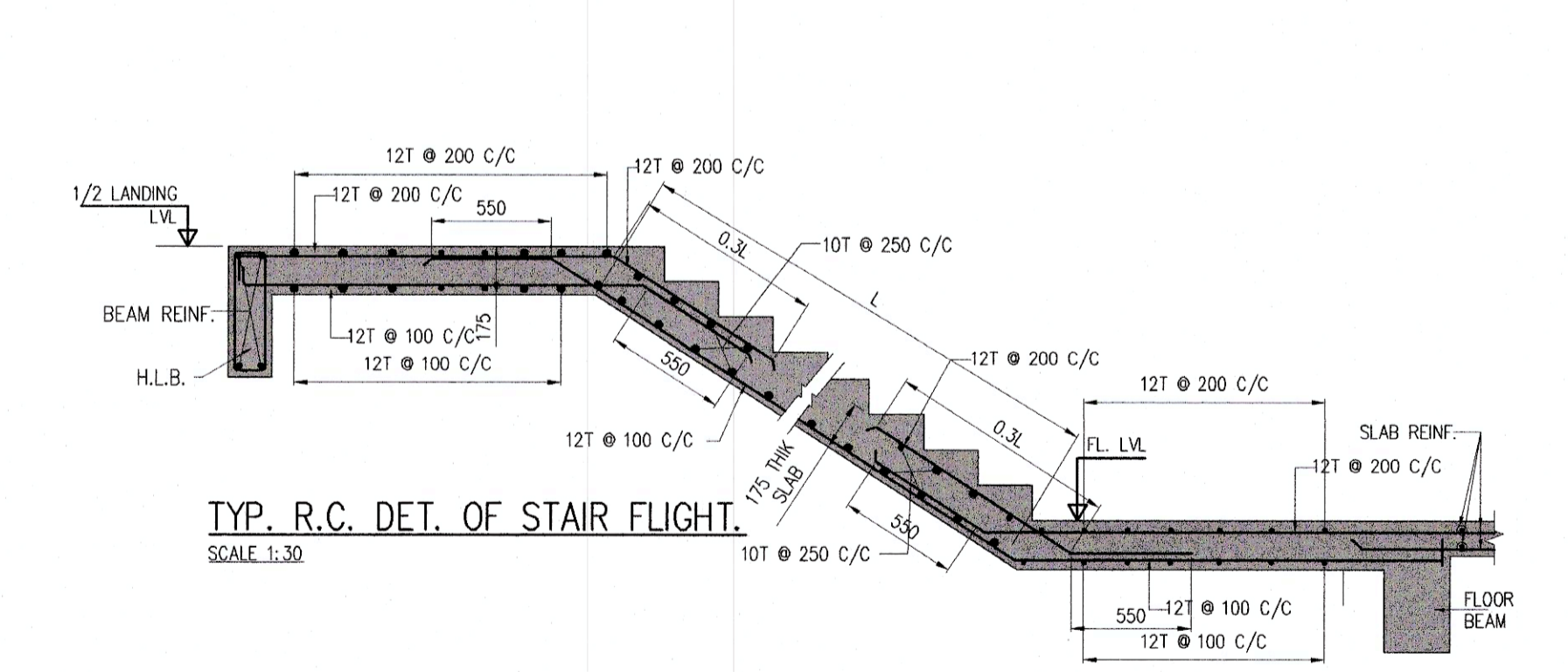
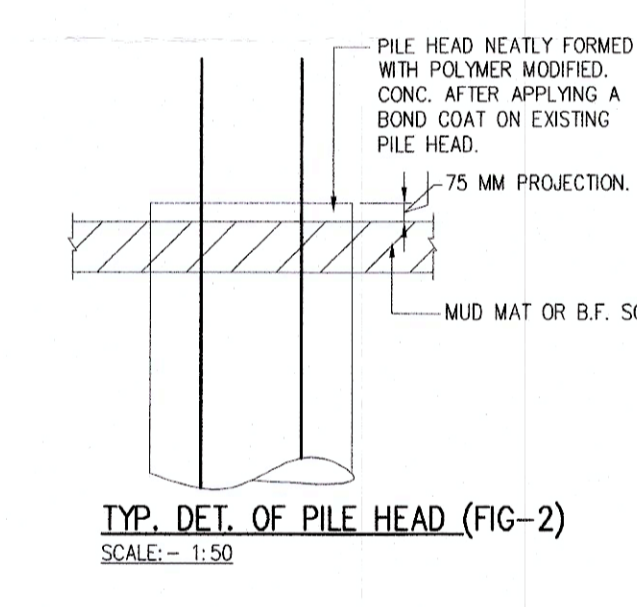
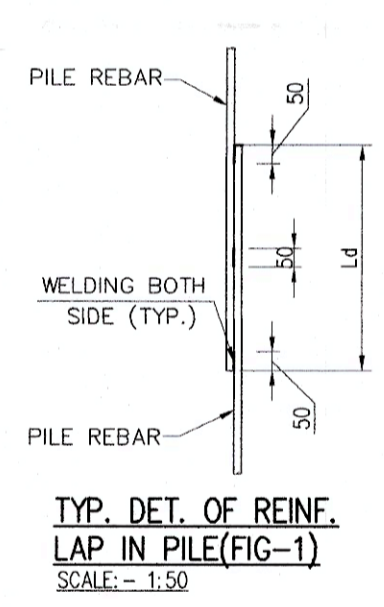
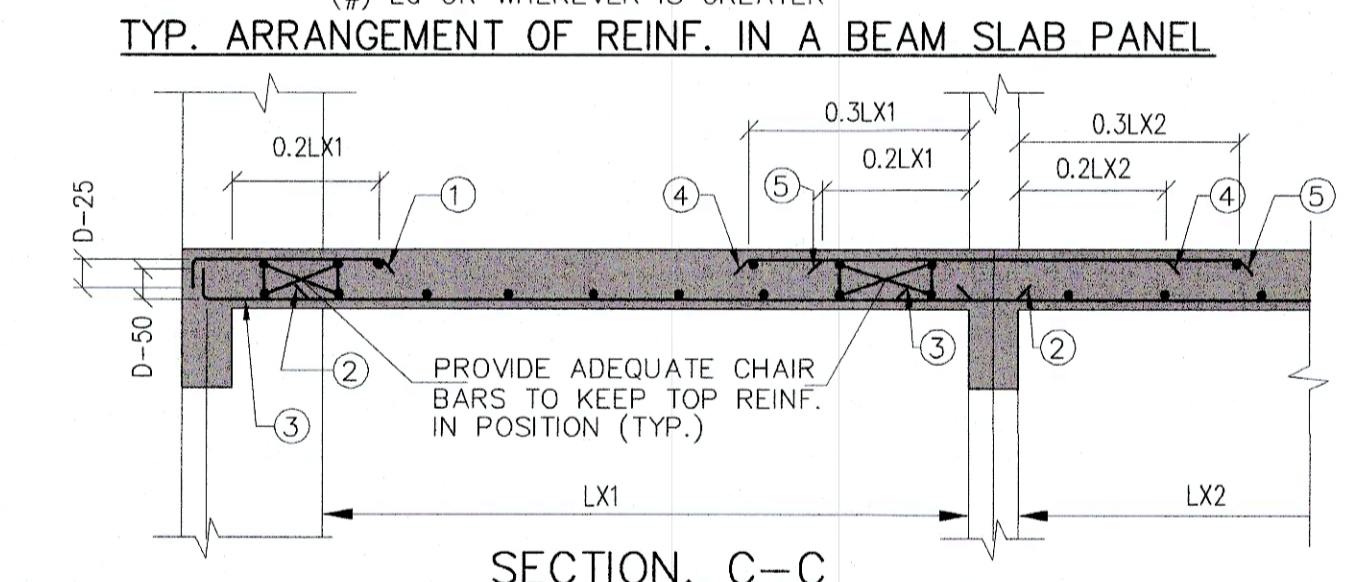
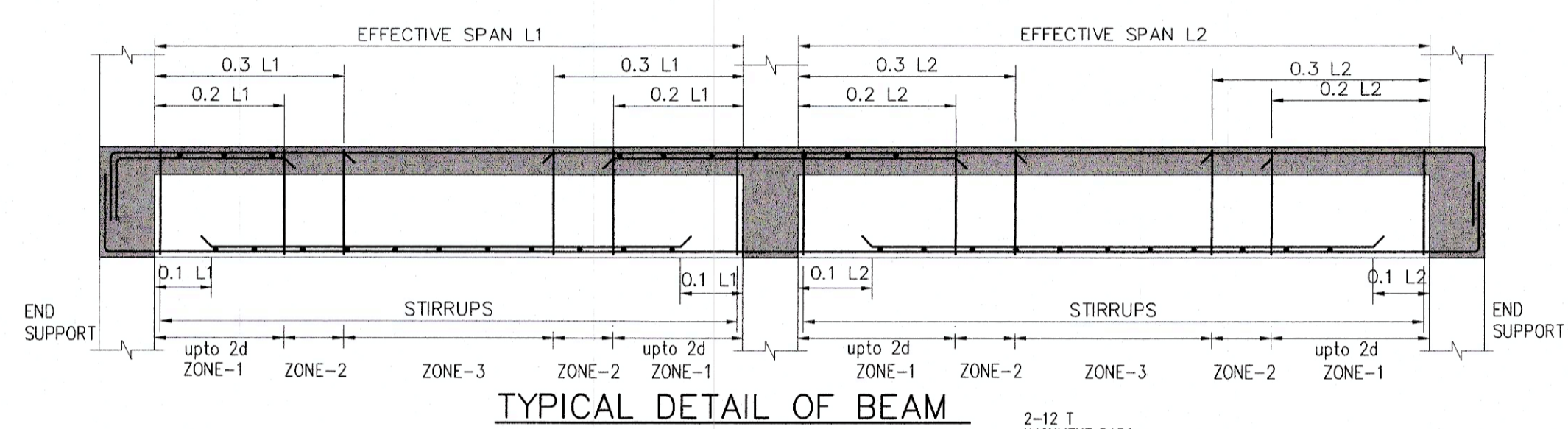
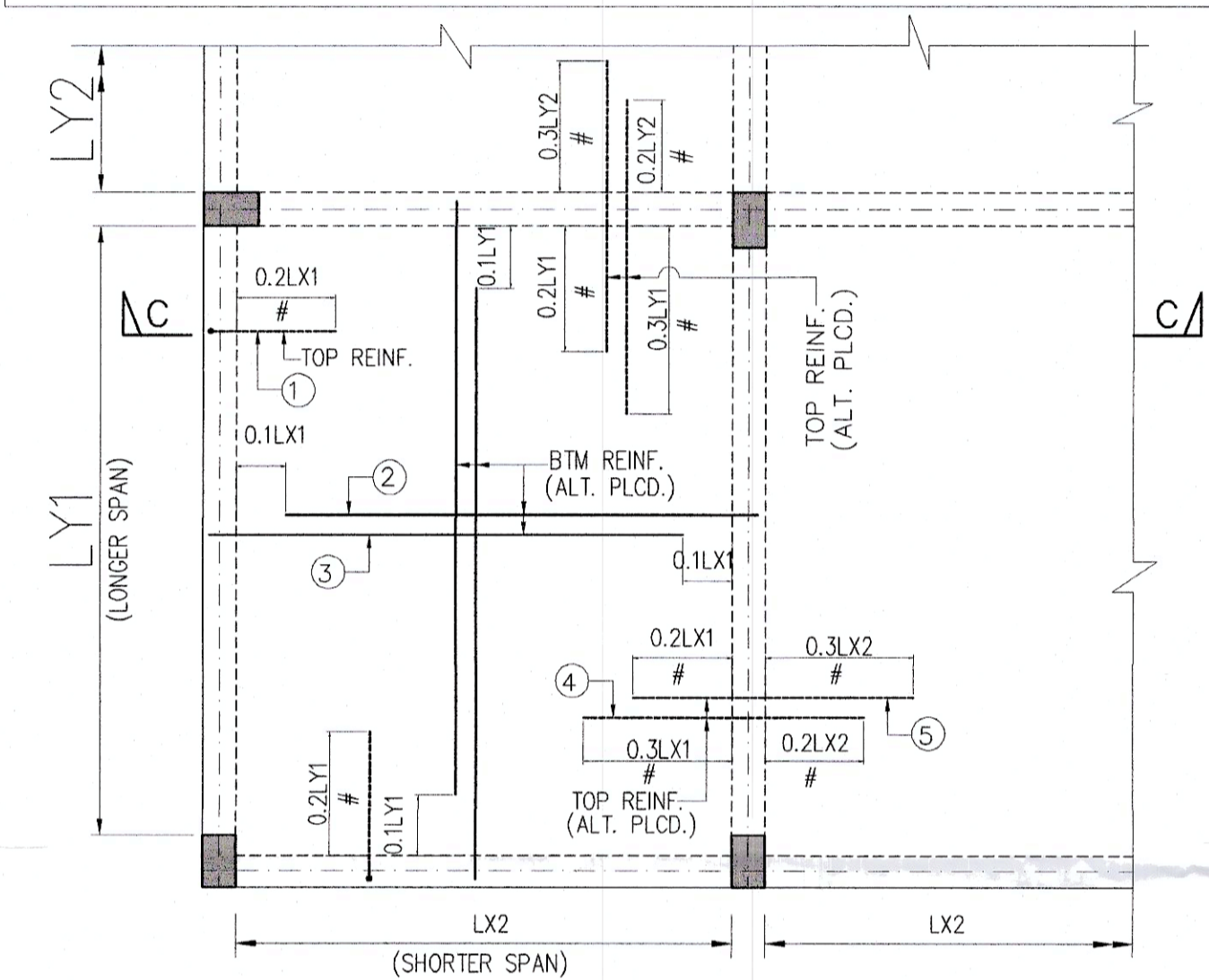


SCHEDULE OF COLUMN		M-30		M-40		M-50		M-60		M-70		M-80		M-90		M-100		M-110		M-120		
TO	12-20T + 16-16T	24-16T	20-16T	24-16T	8-16T + 8-12T	12-16T + 24-12T	16-20T	16-16T	20-16T	20-16T	20-16T	20-16T	24-16T	32-16T	20-16T	32-16T						
TO	20-20T + 8-16T	8-20T + 16-16T	8-20T + 12-16T	8-20T + 16-16T	16-16T	36-16T	16-20T	4-20T + 12-16T	28-16T	8-20T + 12-16T	12-20T + 8-16T	12-20T + 8-16T	10-20T + 10-16T	8-20T + 16-16T	20-20T + 8-16T	12-20T + 20-16T	12-20T + 8-16T	12-20T + 20-16T				
TO	20-20T + 8-16T	8-20T + 16-16T	12-20T + 8-16T	8-20T + 16-16T	4-20T + 12-16T	12-20T + 24-16T	16-20T	12-20T + 4-16T	4-20T + 24-16T	8-20T + 12-16T	12-20T + 8-16T	12-20T + 8-16T	12-20T + 8-16T	8-20T + 16-16T	20-20T + 8-16T	12-20T + 20-16T	12-20T + 8-16T	12-20T + 20-16T				
TO	28-20T	12-20T + 12-16T	20-20T	12-20T + 12-16T	8-20T + 8-16T	36-20T	16-20T	12-20T + 4-16T	14-16T + 8-16T	12-20T + 8-16T	20-20T	20-20T	12-20T + 8-16T	28-20T + 16-16T	20-20T	16-20T + 16-16T	20-20T + 16-16T					
TO	28-20T	24-20T	20-20T	24-20T	16-20T	36-20T	16-20T	16-20T	28-20T	20-20T	20-20T	20-20T	24-20T	28-20T	32-20T	20-20T	32-20T					
COL. SIZE	(400x200/1400)	(200x1400)	(1100x200)	(200x1550)	(200x900)	(AS SHOWN)	(300x750)	(1000x200)	(2305x200)	(300x650)	(600x200/600)	(250x600/200x650)	(400x200/800)	(200x1500)	(600x200/1400)	(2100x200)	(1715x200)	(2050x200)				
LEVEL	C1,C7,C8,C67, C68,C74,C117	C2,C3,C54,C55, C58,C59,C72, C73,C108,C109, C112,C113	C4,C53,C60, C71,C107,C114	C5,C6,C9,C10, C65,C66,C69, C70	C16,C17,C18,C20,C21, C22,C23,C25,C29,C32, C33,C38,C39,C61, C75,C76,C77,C83,C85, C86,C87,C89,C94,C95, C106,C115	C11,C19,C26,L1, LC2,L3,L4	C12,C13,C14, C24,C30,C31, C40,C41,C78, C80,C81,C84, C96,C97	C45,C46, C101,C102	C28	C34,C37,C82, C88,C90,C93	C35,C36,C91, C92	C44,C47,C100,C103, C92	C64	C51,C62,C116	C56,C57,C110, C111	C15,C42,C43, C48,C49,C98, C99,C76,C104, C105	C27	C52				
COL.MKD.	LINKS AS SPECIFIED																					



- GRADE OF CONCRETE : COLUMN - M-40/M-30 BEAM, SLAB, STAIR CASE - M-25
- GRADE OF STEEL - Fe500
- UNLESS OTHERWISE SPECIFIED LAP LENGTH SHALL BE EQUAL TO DEVELOPMENT LENGTH (Ld), WHERE Ld = 50xD (d = DIA. OF REINF.)

SPECIFICATIONS

- ALL DIMENSIONS & LEVELS ARE IN MM, UNLESS MENTIONED OTHERWISE.
- ALL EXTERNAL WALLS ARE 200 MM THICK & INTERNAL WALLS 100 MM THICK, UNLESS MENTIONED OTHERWISE.
- THE DRAWING SHALL BE READ, NOT SCALED & EITHER IN PART OR IN FULL.
- THE DRAWING SHALL BE USED FOR THE PURPOSE ISSUED AND SHALL NOT BE USED FOR ANY OTHER PURPOSE WITHOUT WRITTEN CONSENT FROM THE ARCHITECT.

CERTIFICATE OF STRUCTURAL ENGINEER :

THIS IS TO CERTIFY THAT THE STRUCTURAL DESIGN AND DRAWING OF BOTH FOUNDATION AND SUPER-STRUCTURE OF THE BUILDING HAS BEEN MADE BY ME CONSIDERING ALL POSSIBLE LOADS INCLUDING THE SEISMIC LOAD AS PER THE NATIONAL BUILDING CODE OF INDIA AND CERTIFIED THAT IT IS SAFE AND STABLE IN ALL RESPECTS.

Ankit Agarwal

ANKIT AGARWALA
B.E. (CIVIL), M.E. (STR)
G. ENG. & ARCHITECTURE (LONDON)
Membership No. 078392955
G.C. EMPANELLED STRUCTURAL ENGINEER
CLASS - I, E.S.E. V/172

ANIRBAN BAKSHI
Architect
Council of Architecture
CA / 2001 / 27297

SIGNATURE OF ARCHITECT
ANIRBAN BAKSHI
COUNCIL OF ARCHITECTURE
CA/2001/27297
ADDRESS: 153/27, S.N. ROY ROAD, KOLKATA-700038.

SIGNATURE OF OWNER
Client:

Project:
PROPOSED PLAN OF G+XII (39.950 MTR HT) RESIDENTIAL COMPLEX FOR ANANDHARA, DOMJUR SITE AT R.S. DAG NO.- 4005, 4006, 4007,4019, 4020, 4021,4022, 4032, 5830, 5831, 5833, 5834, 5835, 5836, 5837, 4004 L.R. DAG NO.-4069,4070, 4071, 4083,4084, 4085, 4096,4097,7331, 7332, 7334, 7335, 7336,7337, 7338, 4068 UNDER R.S. KHATIAN NO.-1829, 1877, 1663, 1128/1232, 2995, 143, AT MOUZA-DOMJUR, L.R. KHATIAN NO.- 3568, 5948, 1376/1,1801/1,5837/1,4776,2724/5075/7290/7291,1208/1, 6667, 3267,6666, 2278, 4257, 2819, 2336/3297/5283, 2683, 2687/5625, 1978 & NEW L.R. KHATIAN NO.-11135, 11101, 8292, 11069, 11239, 8287,8289,11230,8290, 8291 J.L. NO.-33, P.S. & ADSRO - DOMJUR, HOWRAH, WEST BENGAL.

Consultant :
M N Consultants One Design Solutions
1516, Rajdanga Main Road, Kolkata-700107.
Telephone : 033 40165700
Email: mnccods@gmail.com
Web: www.mnc-one.com

Civil & Structural Consultants:
M.N.CONSULTANTS (Pvt) Ltd.
MNC HOUSE
1516, RAJDANGA MAIN ROAD
KOLKATA - 700 107
Ph.no.-913324418082/913340165700
FAX NO. 913324418083
E-MAIL: mnccomp2008@gmail.com.

Title:
TYPICAL REINF. DETAILS (SHEET-01 OF 02)

Scale: - AS SHOWN Date 19.11.2024 Drawn

Design Development Corporation Dwg As Built Dwg
 Contract Document Construction Dwg Tender Dwg

Job No. 2212 Revision No.

Drawn No. C-T5-S00-00-05 Revision Date



May be approved
25/1/25
Assistant Engineer
Howrah Zilla Parishad
25/1/25

25/1/25
District Engineer
HOWRAH ZILLA PARISHAD
25/1/25